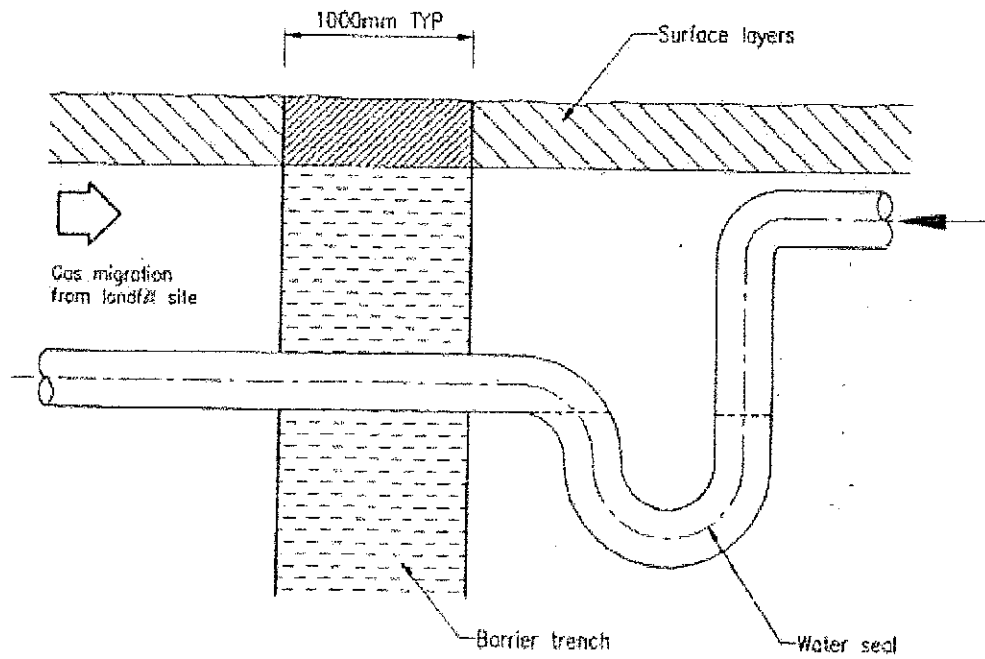


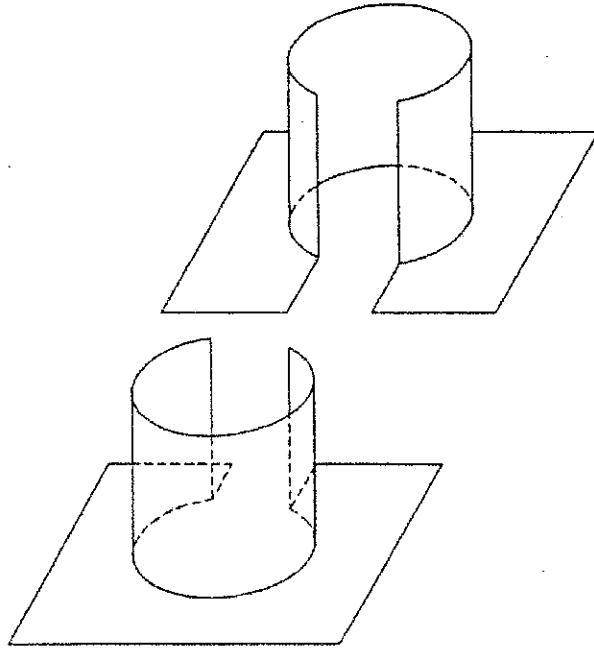
Appendix 7.2

**Specific LFG Protection
Measures for Building
Services**

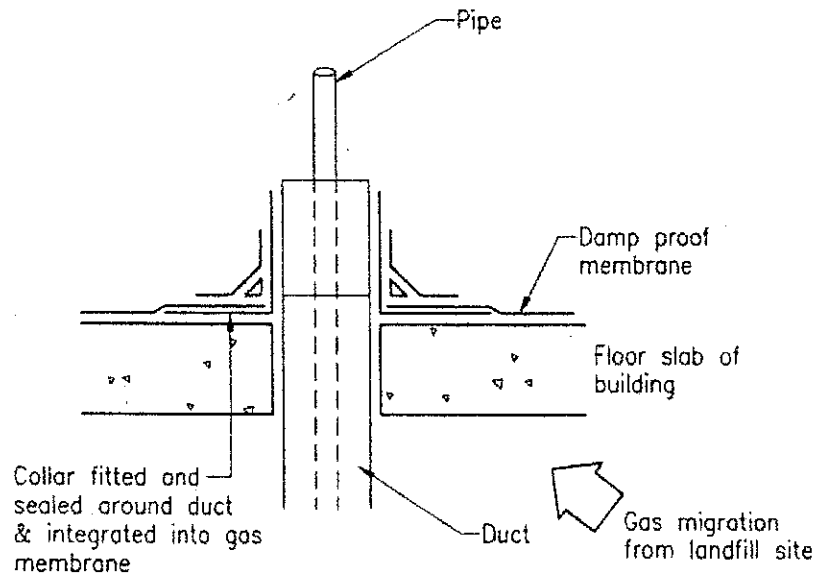
Open conduit protection by water seal



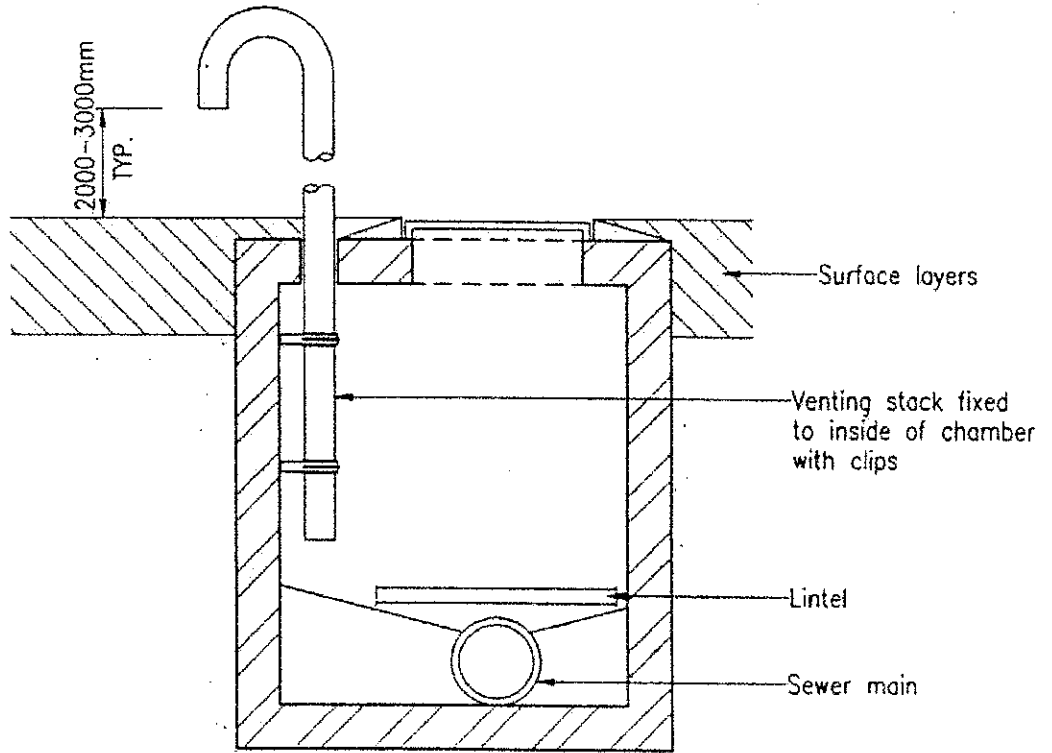
Typical detail of collar seal



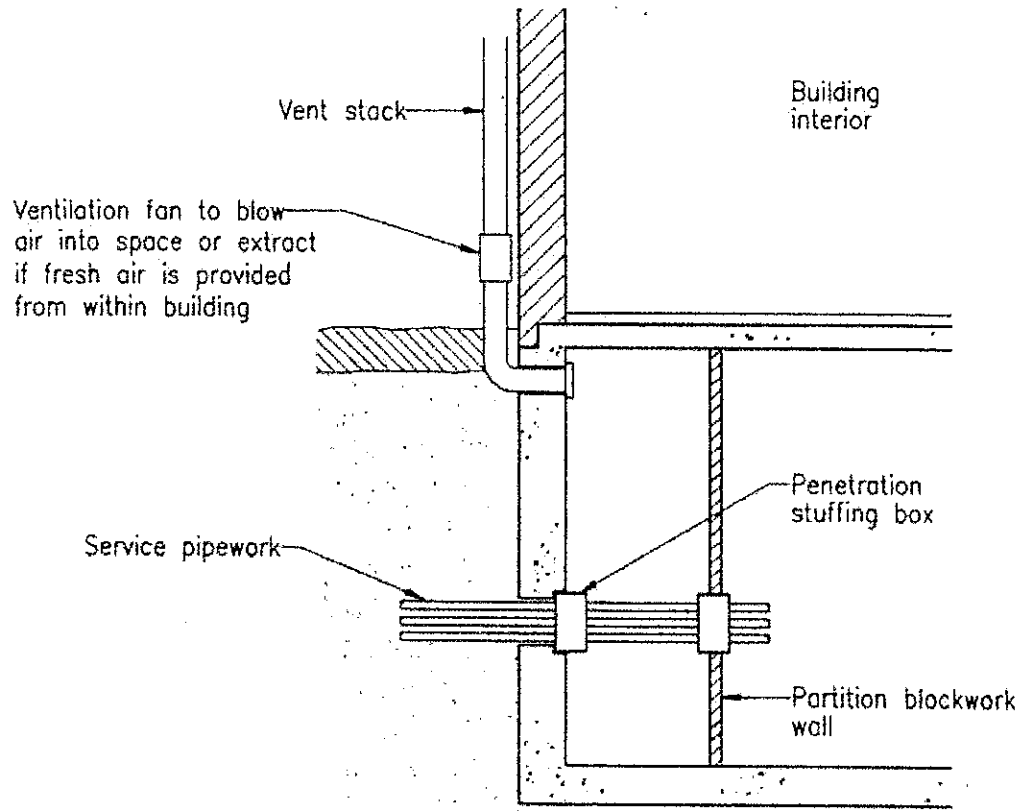
Collar components



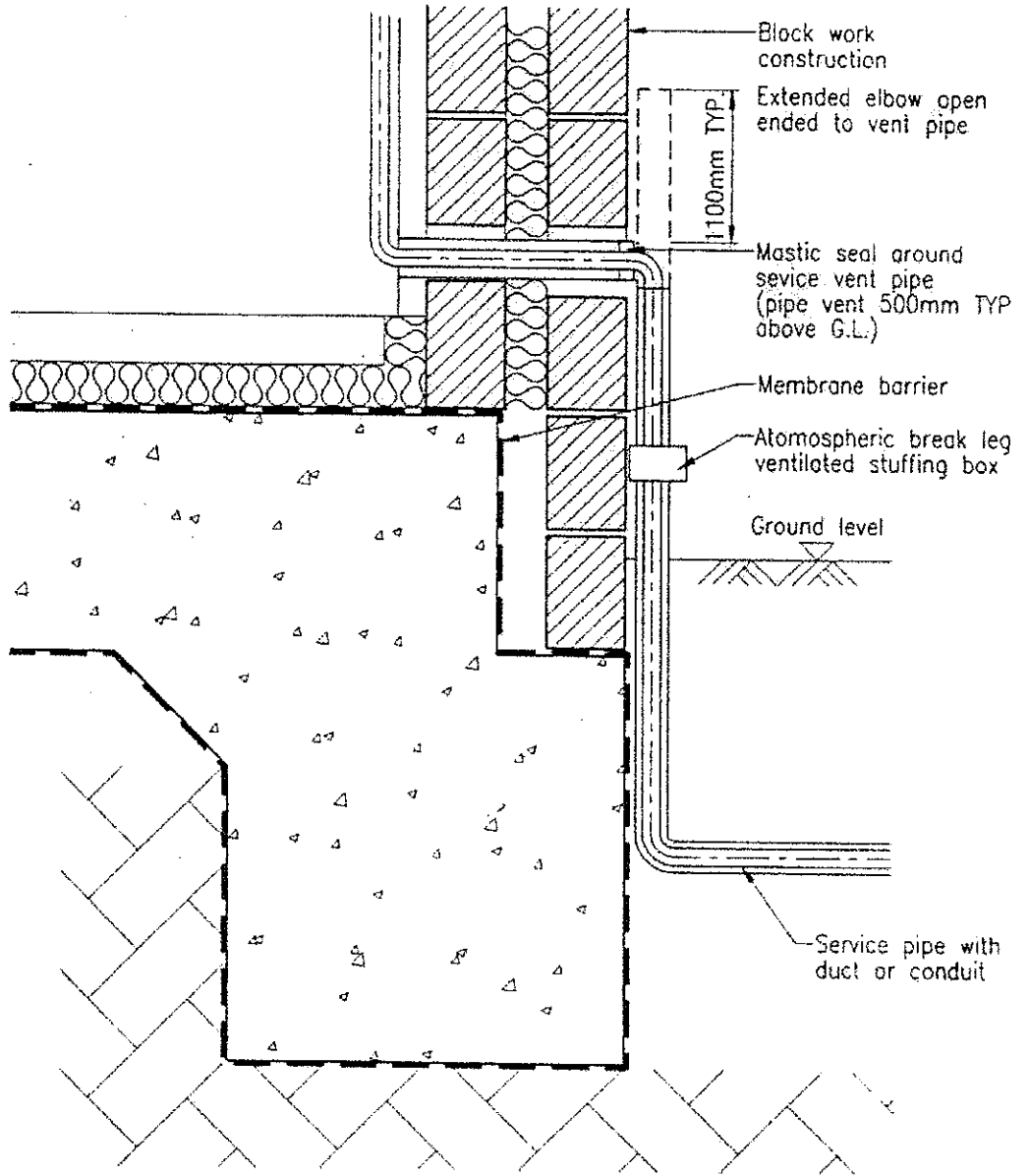
Vented manhole



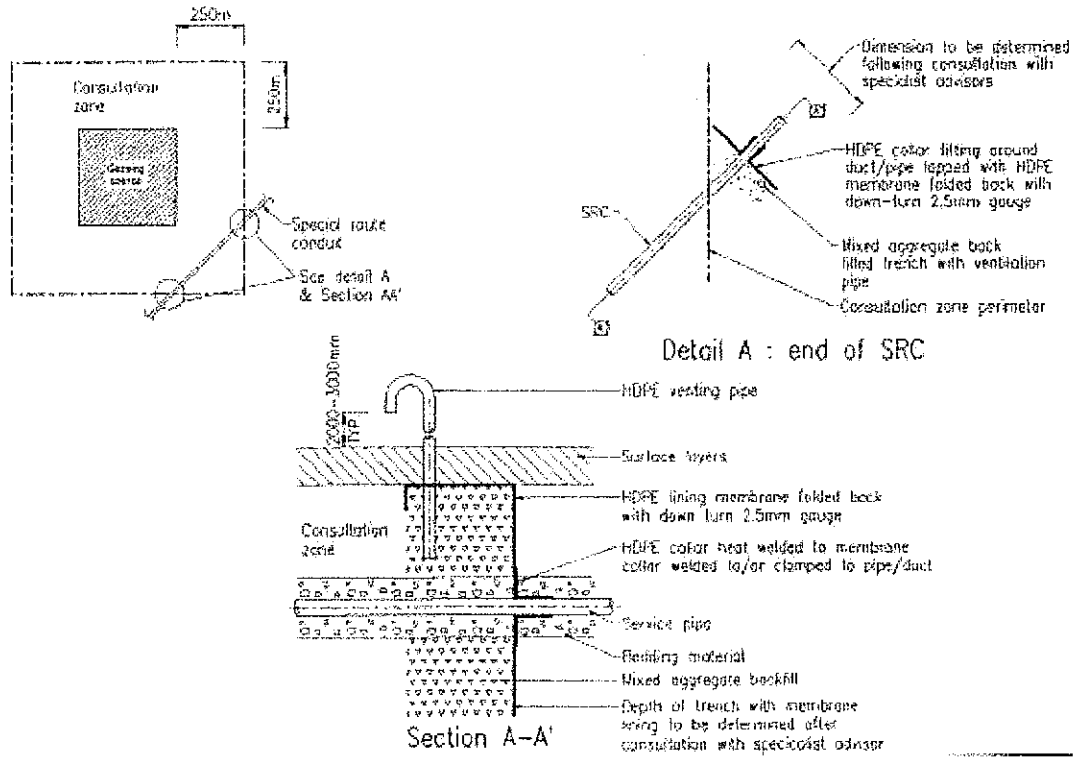
Vented gas interceptor cavity



Above ground service entry



Typical design for services passing through Consultation Zone – special route conduit



Typical service detail for above ground termination of services within Consultation Zone

